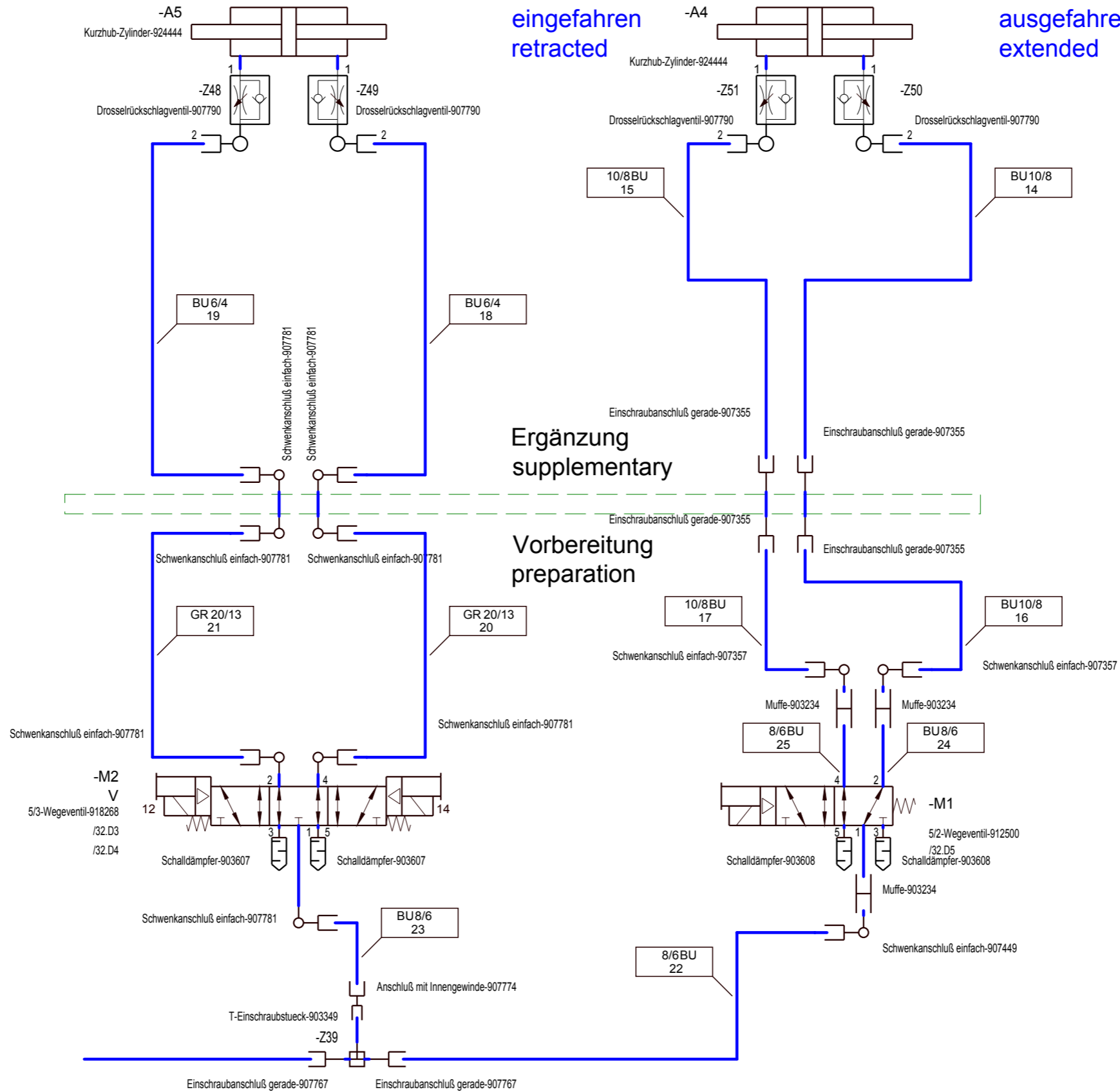


# Elektropneumatisch gesteuertes Förderband

Antriebsplatte  
driving plate

eingefahren  
retracted

ausgefahren  
extended



Pneumatic

Fluid\_Pneumatic-Hydraulic\_2009  
W:\CT\CopyTemplate\_E3-Projekte\Fluid\  
created with  
**E3** series

We reserve all rights in this document and in the information contained therein. Reproduction, use or disclosure to third parties without express authority is strictly forbidden.  
© CIM-Team

date	2009-01-28
User	CT-AS
Proved	CT-BS
Status	change
date	
name	
Standard	

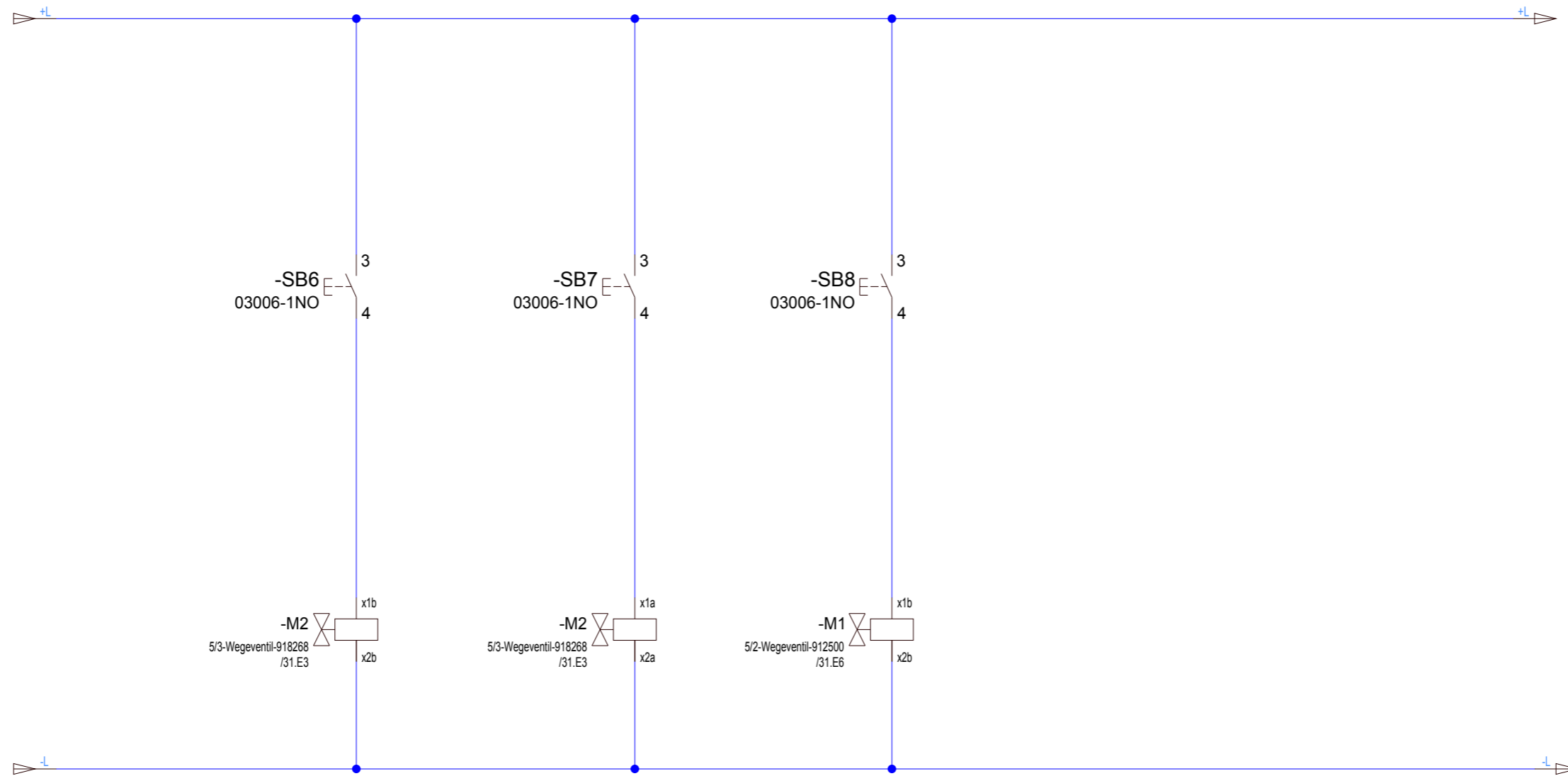
Origin	
Repl. f.	

**CIM-TEAM**  
A ZUKEN COMPANY

Elektropneumatisch gesteuertes  
Förderband

ABCDEF	111	=3
123456789-AAA	Sheet 31	17 Sh.

# Elektropneumatisch gesteuertes Förderband



Electric

Fluid\_Pneumatic-Hydraulic\_2009  
 W:\CT\CopyTemplate\_E3-Projekte\Fluid\

created with  
**E3** series  
 We reserve all rights in this document and in the information contained therein. Reproduction, use or disclosure to third parties without express authority is strictly forbidden.  
 © CIM-Team

				date	2009-01-28		<b>CIM-TEAM</b> A ZUKEN COMPANY	Elektropneumatisch gesteuertes ABCDEFG-111		=3
				User	CT-AS			Förderband		
				Proved	CT-BS			123456789-AAA		Sheet 32
Status	change	date	name	Standard	Origin	Repl. f.	Repl. by			17 Sh.